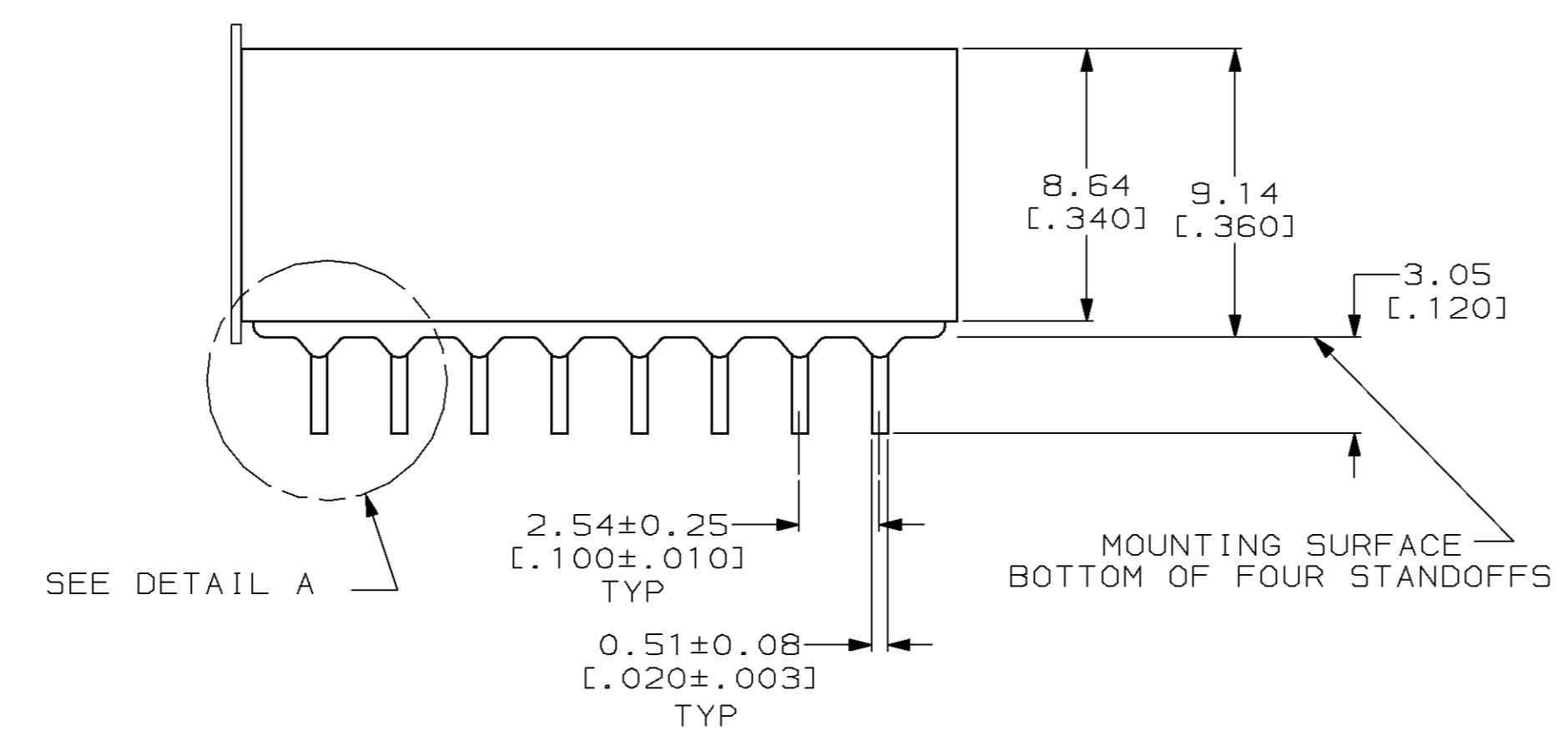
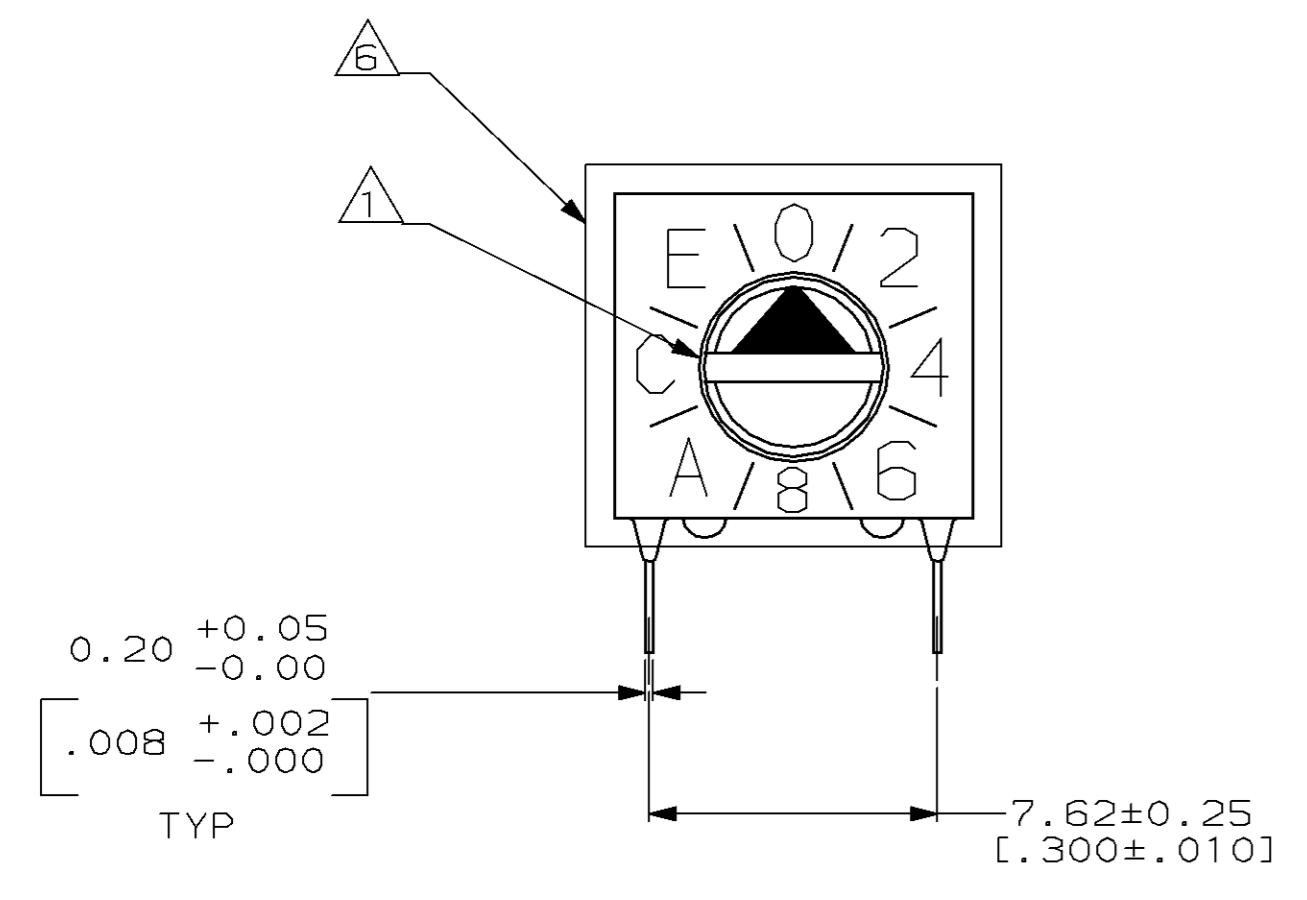
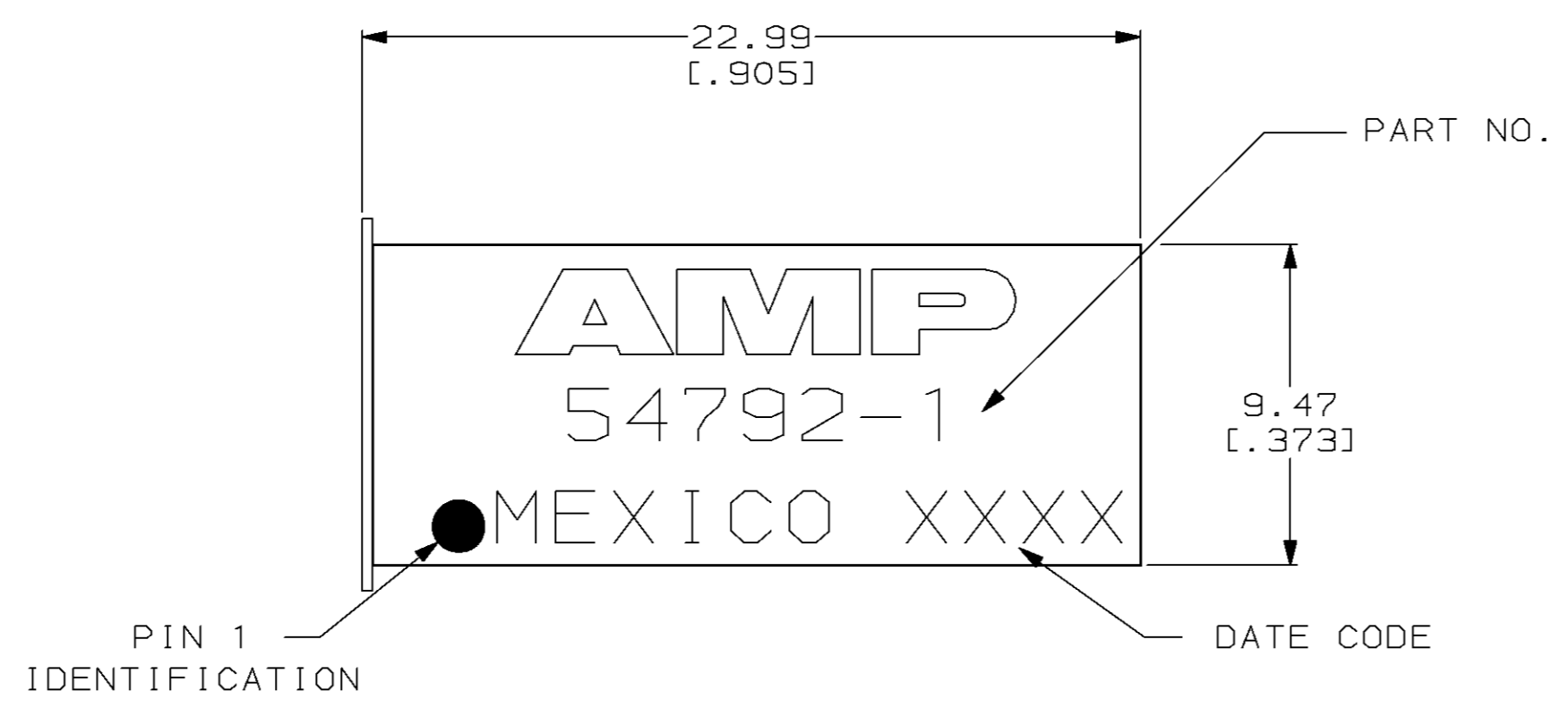


- △ SLOT FOR SCREWDRIVER ACTUATION, AFTER REMOVAL OF TAPE.
- 2. FOR ADDITIONAL SPECIFICATIONS SEE AMP PRODUCT SPEC 108-7066 AND INSTRUCTION SHEET 6811.
- 3. SWITCH BOTTOM IS SEALED.
- △ CONTACT FINISH TO BE 0.00076 [0.00030] GOLD OVER NICKEL.
- △ MATERIAL:  
HOUSING : BLACK POLYESTER  
CONTACTS : BERYLLIUM COPPER.
- △ REMOVABLE TAPE TO SEAL ACTUATOR END.

		POSITION															
		0	1	2	3	4	5	6	7	8	9	A	B	C	D	E	F
COMMON TO	1		●		●		●		●		●		●		●		●
	2			●	●			●	●			●	●			●	●
	4					●	●	●	●				●	●	●	●	●
	8									●	●	●	●	●	●	●	●
	1	●		●		●		●		●		●		●		●	
	2	●	●			●	●			●	●			●	●		
	4	●	●	●	●					●	●	●	●				
	8	●	●	●	●	●	●	●	●								

HEXADECIMAL: WITH COMPLEMENT



54792-1  
PART NUMBER

<small>THIS DRAWING IS A CONTROLLED DOCUMENT FOR AMP INCORPORATED. IT IS SUBJECT TO CHANGE AND THE CONTROLLING ENGINEERING ORGANIZATION SHALL BE CONTACTED FOR THE LATEST REVISION.</small>		DWN: H. SORAH 1-8-97 CHK: R. TALLEY 1-8-97 APD: J. ROBB 1-8-97	<b>AMP</b> AMP Incorporated Harrisburg, PA 17105-3608
DIMENSIONS: mm (INCHES)	TOLERANCES UNLESS OTHERWISE SPECIFIED: 0 PLC ± 1 PLC ± 2 PLC ±0.30 [.012] 3 PLC ± 4 PLC ± ANGLES FINISH	NAME: PRODUCT SPEC: APPLICATION SPEC: WEIGHT: -	SWITCH ASSY, PREPROGRAMMED DIP, 16 POSITION, SCREWDRIVER SLOT SIZE: A1 CAGE CODE: 00779 DRAWING NO: C-54792-1 SCALE: 5:1 SHEET: 1 OF 1 REV: K
MATERIAL: △		CUSTOMER DRAWING	